

**DOUBLE ACTING CYLINDERS**



- ✓ Capacities from 50 to 1000 ton, stroke up to 300mm
- ✓ Hydraulic return improves retraction speed and control
- ✓ Nickel plated piston to extend cylinder life.
- ✓ Optional tilt saddles available
- ✓ Built-in safety valve to prevent accidental overpressure

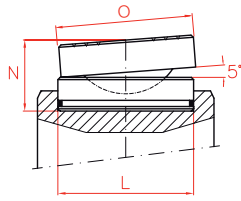


Capacity		Stroke	Model	Oil Cap.	A
ton	kN	mm	LARZEP	cm <sup>3</sup>	mm
50	539	50	CDC05005	385	162
		150	CDC05015	1.155	262
		300	CDC05030	2.309	412
100	929	50	CDC10005	664	179
		150	CDC10015	1.991	279
		300	CDC10030	3.982	429
150	1.390	50	CDC15005	993	196
		150	CDC15015	2.978	296
		300	CDC15030	5.957	446
200	1.861	50	CDC20005	1.330	212
		150	CDC20015	3.989	312
		300	CDC20030	7.977	462
250	2.565	50	CDC25005	1.832	235
		150	CDC25015	5.497	335
		300	CDC25030	10.993	485

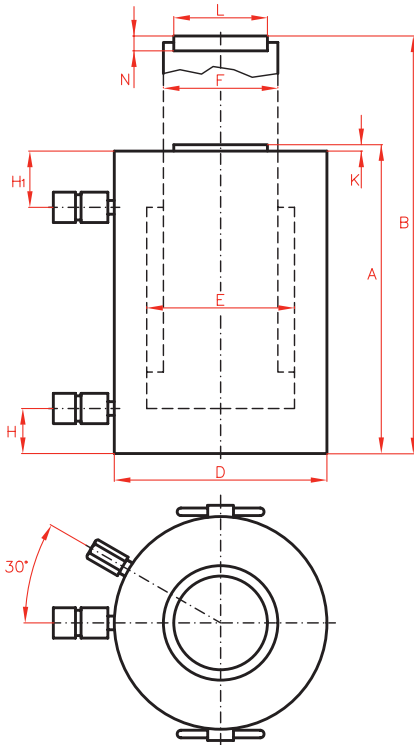
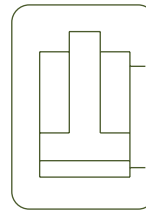


OPTIONAL TILTING SADDLES

Model	L	N	O	Weight
LARZEP	mm	mm	mm	kg
CATS50	50	34	71	1,0
CATS101	75	30	71	1,6
CATS150	94	39,2	97	3,0
CATS200	113	43,0	126	4,4
CATS300	140	68,5	175	10,3



P.89



Type	<b>CDC</b>
Capacity	<b>50 - 1.000 ton</b>
Stroke	<b>50 - 300 mm</b>
Max. pressure	<b>700 bar</b>

CDC CYLINDERS

DDA Aluminium Double Acting Cylinders



P.48

HBM / HBE Powerpacks



P.72

B	D	E	F	H	H1	K	L	N	Area	Weight	Model	With tilting saddle	
mm	mm	mm	mm	mm	mm	mm	mm	mm	cm <sup>2</sup>	kg	LARZEP	A	Model
212	130	99	70	52	33	1	50	20	77,0	17	<b>CDC05005</b>	176	CATS50
412	130	99	70	52	33	1	50	20	77,0	23	<b>CDC05015</b>	276	CATS50
712	130	99	70	52	33	1	50	20	77,0	34	<b>CDC05030</b>	426	CATS50
229	165	130	95	54	48	1	75	20	132,7	29	<b>CDC10005</b>	189	CATS101
429	165	130	95	54	48	1	75	20	132,7	40	<b>CDC10015</b>	289	CATS101
729	165	130	95	54	48	1	75	20	132,7	58	<b>CDC10030</b>	439	CATS101
246	205	159	114	61	56	1	94	20	198,6	39	<b>CDC15005</b>	215	CATS150
446	205	159	114	61	56	1	94	20	198,6	65	<b>CDC15015</b>	315	CATS150
746	205	159	114	61	56	1	94	20	198,6	105	<b>CDC15030</b>	465	CATS150
262	235	184	133	67	66	1	113	25	265,9	55	<b>CDC20005</b>	230	CATS200
462	235	184	133	67	66	1	113	25	265,9	91	<b>CDC20015</b>	330	CATS200
762	235	184	133	67	66	1	113	25	265,9	146	<b>CDC20030</b>	480	CATS200
285	275	216	165	73	78	1	145	25	366,4	89	<b>CDC25005</b>	274	CATS250
485	275	216	165	73	78	1	145	25	366,4	136	<b>CDC25015</b>	374	CATS250
785	275	216	165	73	78	1	145	25	366,4	207	<b>CDC25030</b>	524	CATS250

**HBM / HBE**  
Powerpacks



P.72

**AV**  
Pressure Gauges



P.92

**AP2**  
Hoses

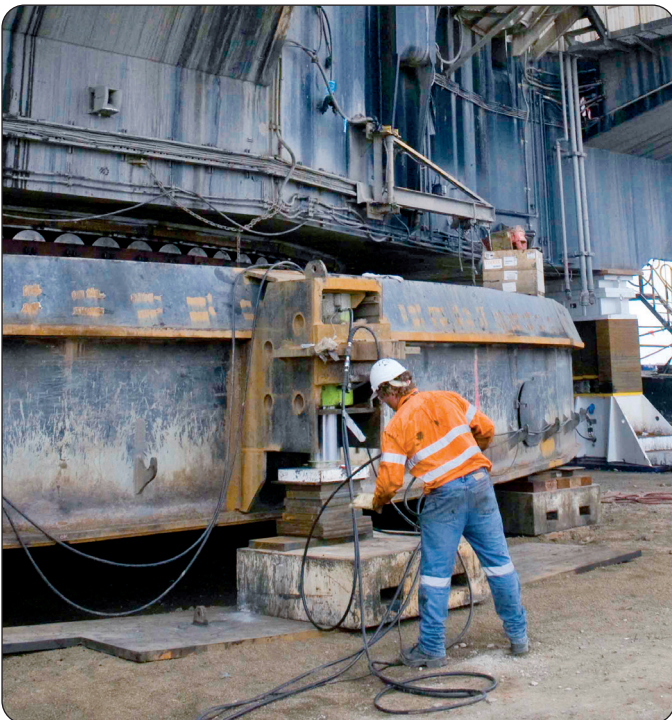


P.83

**AZ3140**  
Coupler 3/8" -18 NPT included

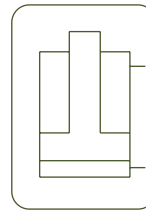


P.84

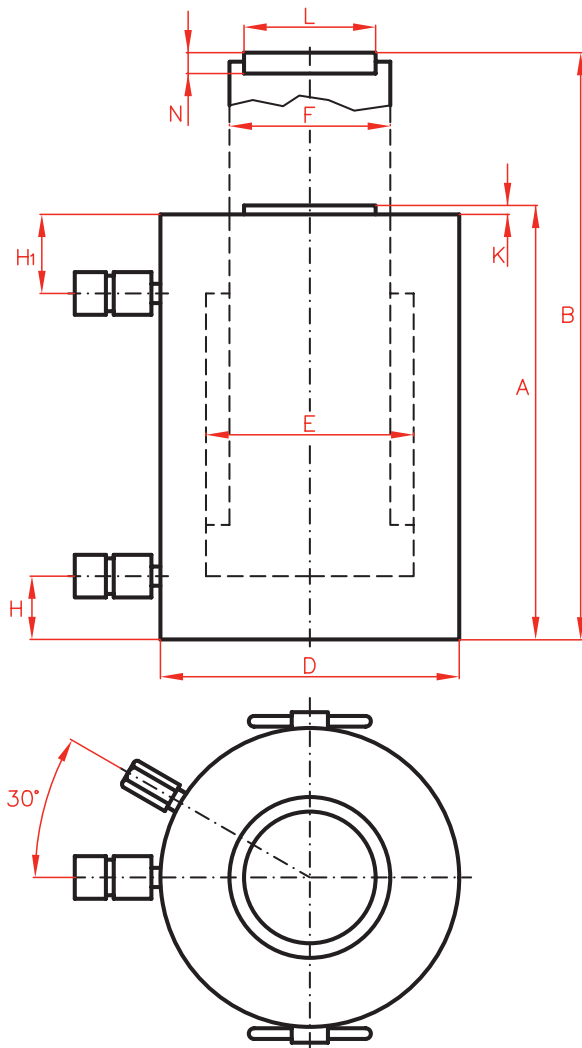


Capacity		Stroke	Model	Oil Cap.	A
ton	kN	mm	LARZEP	cm <sup>3</sup>	mm
300	3.193	50	CDC30005	2281	322
		150	CDC30015	6843	422
		300	CDC30030	13685	572
500	5.114	50	CDC50005	3653	360
		150	CDC50015	10959	460
		300	CDC50030	21918	610
600	5.987	50	CDC60005	4276	360
		150	CDC60015	12829	460
		300	CDC60030	25659	610
800	8.234	50	CDC80005	5881	395
		150	CDC80015	17644	495
		300	CDC80030	35288	645
1.000	10.260	50	CDC100005	7329	421
		150	CDC100015	21986	521
		300	CDC100030	43972	671



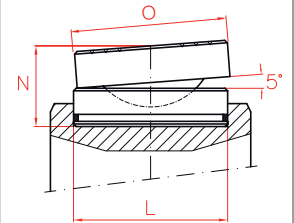


Type	<b>CDC</b>
Capacity	<b>50 - 1.000 ton</b>
Stroke	<b>50 - 300 mm</b>
Max. pressure	<b>700 bar</b>



OPTIONAL TILTING SADDLES

Model	L	N	O	Weight
LARZEP	mm	mm	mm	kg
CATS400	159	78,0	210	17,0
CATS500	179	77,0	230	20,0
CATS600	194	81,5	250	24,0
CATS800	224	86,5	275	32,0
CATS1000	249	105,5	300	46,0



P.89

B	D	E	F	H	H1	K	L	N	Area	Weight	Model	With tilting saddle	
mm	mm	mm	mm	mm	mm	mm	mm	mm	cm <sup>2</sup>	kg	LARZEP	A	Model
372	310	241	197	101	75	1	177	20	456,2	184	CDC30005	361	CATS301R
572	310	241	197	101	75	1	177	20	456,2	232	CDC30015	461	CATS301R
872	310	241	197	101	75	1	177	20	456,2	303	CDC30030	611	CATS301R
410	400	305	248	114	135	3	228	30	730,6	379	CDC50005	408	CATS501R
610	400	305	248	114	135	3	228	30	730,6	468	CDC50015	508	CATS501R
910	400	305	248	114	135	3	228	30	730,6	601	CDC50030	658	CATS501R
410	430	330	267	114	135	3	247	30	855,3	438	CDC60005	413	CATS601R
610	430	330	267	114	135	3	247	30	855,3	540	CDC60015	513	CATS601R
910	430	330	267	114	135	3	247	30	855,3	693	CDC60030	663	CATS601R
445	505	387	317	149	135	3	297	30	1176,3	665	CDC80005	452	CATS801R
645	505	387	317	149	135	3	297	30	1176,3	809	CDC80015	552	CATS801R
945	505	387	317	149	135	3	297	30	1176,3	1023	CDC80030	702	CATS801R
471	560	432	343	174	170	3	323	30	1465,7	872	CDC100005	498	CATS1001R
671	560	432	343	174	170	3	323	30	1465,7	1047	CDC100015	598	CATS1001R
971	560	432	343	174	170	3	323	30	1465,7	1305	CDC100030	748	CATS1001R