

**DOUBLE ACTING HOLLOW PISTON CYLINDERS**



- ✓ Double acting hollow piston hydraulic cylinders with a capacity from 30 to 145 ton, stroke up to 258 mm, rated for 700 bar.
- ✓ For push and pull operations: Tensioning cables and bolts, pulling sleeves and bearings.
- ✓ Collar thread, piston end thread and base holes for easy fixing.
- ✓ Safety valve on the retract side to prevent accidental over-pressure.
- ✓ Hollow plain saddle as standard. Optional solid or threaded saddles available.
- ✓ Hollow nickel plated piston.



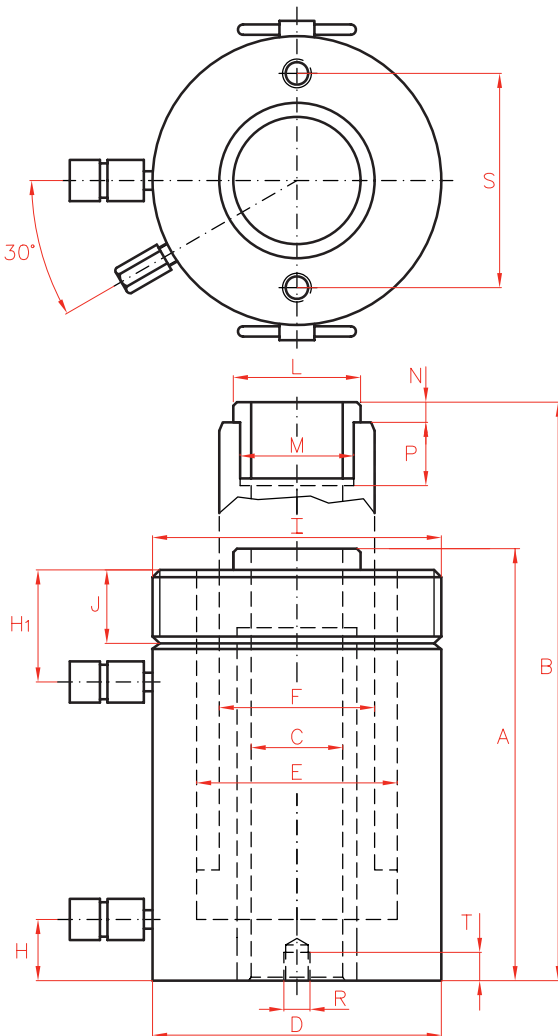
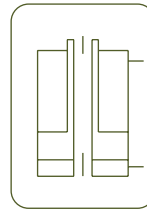
Capacity	Stroke	Model	Capacity (kN)		Oil Cap.	A	B	C	D	
			ton	mm						
30	178	DDH03015	326	213	829	330	508	33,3	114	
	258	DDH03025	326	213	1.202	431	689	33,3	114	
60	89	DDH06008	576	380	733	247	336	53,8	159	
	166	DDH06015	576	380	1.366	323	489	53,8	159	
	257	DDH06025	576	380	2.115	438	695	53,8	159	
95	38	DDH10004	931	612	505	165	203	79,2	212	
	76	DDH10008	931	612	1011	254	330	79,2	212	
	153	DDH10015	931	612	2.035	342	495	79,2	212	
	257	DDH10025	931	612	3.420	460	717	79,2	212	
145	203	DDH15020	1.429	718	4.144	349	552	79,2	247	



**AZ05**  
Hollow Saddles



P.89



Type **DDH**

Capacity **30 - 145 ton**

Stroke **38 - 258 mm**

Max. pressure **700 bar**

**DAH**  
Aluminium Double Acting  
Hollow Piston Cylinders



P.54



	E	F	H	H1	I	J	L	M	N	P	R	S	T	Area	Weight	Model
	mm	mm	mm	mm	UN	mm	mm	UN	mm	mm	UN	mm	mm	cm <sup>2</sup>	kg	LARZEP
	88,9	63,5	25	60	4½"- 12	42	63	1 13/16"-16	9	22	¾"- 16	92,2	15,7	46,6	21	<b>DDH03015</b>
	88,9	63,5	25	60	4½"- 12	42	63	1 13/16"-16	9	22	¾"- 16	92,2	15,7	46,6	27	<b>DDH03025</b>
	123,9	91,9	31	66	6¼"- 12	48	91	2 3/4"-16	12	19	½"- 13	130,0	14,0	82,3	28	<b>DDH06008</b>
	123,9	91,9	31	66	6¼"- 12	48	91	2 3/4"-16	12	19	½"- 13	130,0	14,0	82,3	35	<b>DDH06015</b>
	123,9	91,9	31	66	6¼"- 12	48	91	2 3/4"-16	12	19	½"- 13	130,0	14,0	82,3	45	<b>DDH06025</b>
	165,1	127,0	38	44	-	-	126	4"-16	12	25	5/8"- 16	177,8	19,0	133,0	33	<b>DDH10004</b>
	165,1	127,0	38	85	83/8"- 12	60	126	4"-16	12	25	5/8"- 16	177,8	19,0	133,0	61	<b>DDH10008</b>
	165,1	127,0	38	85	83/8"- 12	60	126	4"-16	12	25	5/8"- 16	177,8	19,0	133,0	79	<b>DDH10015</b>
	165,1	127,0	38	85	83/8"- 12	60	126	4"-16	12	25	5/8"- 16	177,8	19,0	133,0	106	<b>DDH10025</b>
	190,5	152,4	38	60	-	-	127	4 1/4"-12	4	25	5/8"- 16	213,4	23,0	204,1	111	<b>DDH15020</b>