

SINGLE ACTING HOLLOW PISTON CYLINDERS, SPRING RETURN



- ✓ Capacity from 12 to 95 ton, stroke up to 150 mm.
- ✓ Spring return, hollow piston hydraulic cylinders rated for 700 bar.
- ✓ For push and pull applications: Tensioning cables and bolts, pulling sleeves and bearings.
- ✓ Hollow nickel plated piston.
- ✓ Collar threads, piston end thread and base holes for easy fixing.
- ✓ Compatible with our complete puller range.
- ✓ Hollow plain saddle as standard on most models.
- ✓ Optional solid or threaded saddles available.
- ✓ Hollow cylinders also available in double acting DDH and aluminium single and double acting SAH and DAH.

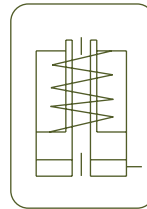
AZ04 & AZ05
Optional Saddles available
Tilting or hollow



P.89

Capacity		Stroke mm	Model LARZEP	Oil Cap. cm ³	A mm	B mm	C mm	
ton	kN							
12	125	42	SSH01204	75	120	162	19,5	
		42	SSH01204P	75	82	104	19,5	
		42	SSH01204T	75	120	162	19,5	
		76	SSH01208	136	184	260	19,5	
20	215	49	SSH02205	150	162	211	26,9	
		155	SSH02215	476	306	461	26,9	
30	326	64	SSH03006	298	178	242	33,3	
		155	SSH03015	722	330	485	33,3	
60	576	76	SSH06008	626	247	323	53,8	
		153	SSH06015	1.259	323	476	53,8	
95	931	76	SSH10008	1011	254	330	79,0	





HOLLOW PISTON CYLINDERS



Type	SSH
Capacity	12 - 95 ton
Stroke	42 - 155 mm
Max. pressure	700 bar

SAH
Lightweight Aluminium
Hollow Piston Cylinders

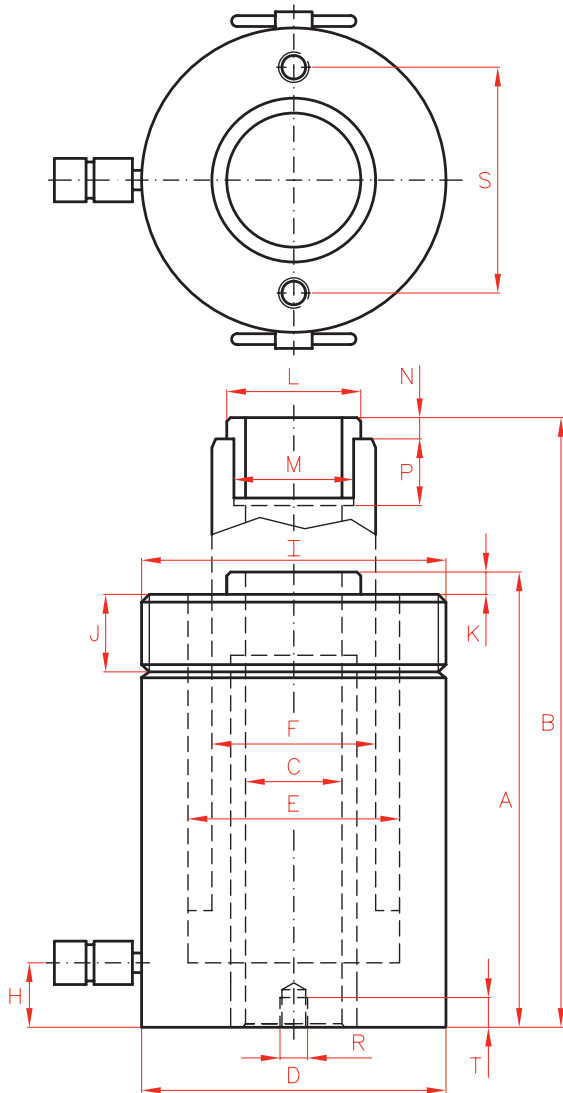


P.18

DDH
Double Acting Hollow Piston Cylinders



P.52



D	E	F	H	I	J	K	L	M	P	R	S	T	Area	Weight	Model
mm	mm	mm	mm	UN	mm	mm	mm	UN	mm	UN	mm	mm	cm ²	kg	LARZEP
70	54,1	35,1	25	2¾"- 16	30	-	-	-	-	-	-	-	18	2,8	SSH01204
70	54,1	35,1	14	2¾"- 16	30	-	-	¾"- 16	16	5/16"-18	50,8	6,3	18	2,8	SSH01204P
70	54,1	35,1	25	2¾"- 16	30	-	-	¾"- 16	16	-	-	-	18	2,8	SSH01204T
70	54,1	35,1	25	2¾"- 16	30	-	-	-	-	5/16"-18	50,8	12,7	32	4,4	SSH01208
98	73,1	54,1	19	37/8"- 12	38	9,7	54	19/16"- 16	19	3/8"-16	82,6	9,4	32	7,7	SSH02205
98	73,1	54,1	25	37/8"- 12	38	9,7	54	19/16"- 16	19	3/8"-16	82,6	9,4	44	14,1	SSH02215
114	88,9	63,5	21	4½"- 12	42	9,0	63	113/16"- 16	22	3/8"-16	92,2	14,0	44	10,9	SSH03006
114	88,9	63,5	25	4½"- 12	42	9,0	63	113/16"- 16	22	3/8"-16	92,2	14,0	84	21,8	SSH03015
159	123,9	91,9	31	6¼"- 12	48	12,0	91	2¾"- 16	19	½"-13	130,3	14,0	84	28,1	SSH06008
159	123,9	91,9	31	6¼"- 12	48	12,0	91	2¾"- 16	19	½"-13	130,3	14,0	148	35,4	SSH06015
212	165,1	127,0	38	83/8"- 12	60	12,0	126	4"- 16	25	5/8"-11	177,8	19,0		63,0	SSH10008