



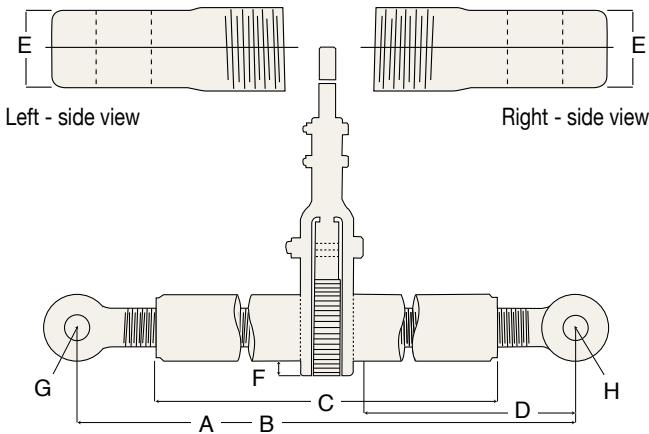
Models: SER20 & SER30



The SER Series Loadbinder Jack was used to secure a tractor for transporting. The heavy-duty steel construction makes this jack useful in a myriad of applications.

## FEATURES

- ✓ 18,1 tonnes capacity models are used for connecting river barges, pulling forms and steel plates.
- ✓ Ideal for bridge construction and steel engineering projects.
- ✓ Equipped with spring activated pawl and 66cm integrated handle.
- ✓ Can be used in “push” or “pull” applications.



**WARNING**

Please follow all recommended safety precautions to avoid personal injury or damage to the unit.

Model	Travel Length (mm)	Screw Diameter (mm)	Dimensions (mm)								Weight (kg)
			A	B	C	D	E	F	G	H	
			Eye to Eye		Barrel Width	Left / Right Screw Length	Left / Right Screw Eye Thickness	Ratchet Socket Length	Inner Diameter Left / Right Screw Eye	Radius	
Minimum	Maximum										
SER10	356	51	585	939	457	279	48	19	33	44	25,9
SER20	508	51	737	1244	610	356	48	19	33	44	29,9
SER30	660	51	889	1549	762	432	48	19	33	44	33,6
SER40	965	51	1194	2159	1067	584	48	19	33	44	41,7

# PUSH / PULL JACKS



PP Series 9,1 Tonnes



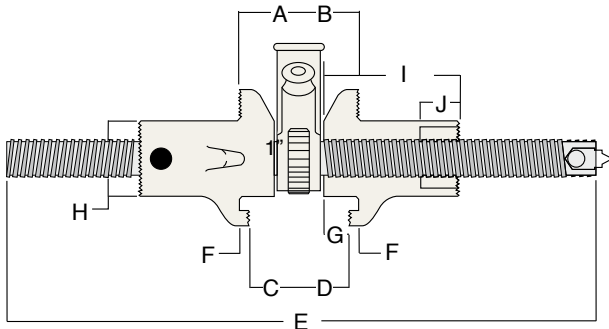
Models: PP610, PP61015



A Simplex PP610 is used to separate these I-Beams for proper bridge repair operation and maintenance.

## FEATURES

- ✓ Used for pushing, pulling, holding and more.
- ✓ Ideal for weld shops.
- ✓ End nuts are designed to permit the use of chains with eye hooks.
- ✓ Suitable for adjusting forms, dampers, fixtures and flues.
- ✓ Incorporates 1.25-6 ACME 2G Class, right and left hand.



### CE COMPLIANT

Our Jack design specifications meet or exceed ANSI /ASME B30.1 Safety Standards.



### RECOMMENDED LEVER BAR LENGTHS

Please refer to page 17 for additional details.

Model	Tonnes	Length (mm)	Diameter (mm)
SLB24	9,1	610	19

Model	Dimensions (mm)									
	A	B	C	D	E	F	G	H	I	J
	Minimum	Maximum	Minimum	Maximum	Length	Length	Length	Length	Length	Length
PP610	86	206	73	193	254	8	19	60	81	32
PP61015	----	----	----	----	254	----	----	----	----	----

Model	Centered Capacity (tonnes)	Hook/Toe Offset Load Capacity (tonnes)	Travel (mm)	Handle Effort per ton (N)	Screw Diameter (mm)	Weight (kg)
PP610	9,1	1,8	121	6,8	32	5,9
PP61015	9,1	1,8	----	6,8	32	2,3