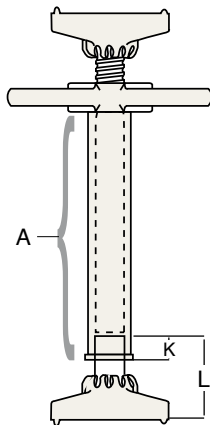
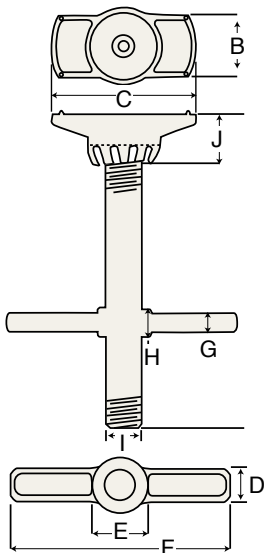


Model: SE12, SE18 - Screw & Butt End Sold Separately



Note:  
Customer Supplied DN  
"Diametre Nominal"  
38.1mm or 50.8mm pipe.

Dimensions assume the use of both screw & butt ends together as an assembly.



Simplex SE Series Trench Braces are used to shore up the walls of this trench for the repair work of underground water pipes.

**FEATURES**

- ✓ Provides an efficient, economical protection against cave-ins and costly re-digging in construction & maintenance.
- ✓ Ball socket joints tilt for added safety on angular mounting.
- ✓ Holes on each end facilitates mounting to wood members.



**WARNING**

Please follow all recommended safety precautions to avoid personal injury or damage to the unit. Reference OSHA Timber Trench Brace Charts for proper spacing guidelines.

Model (Screw End)	Adjust Range (mm)	Pipe Size (DN)	Dimensions (mm)											
			A	B	C	D	E	F	G	H	I	J	K	L
			Minimum Pipe Length	Width	Length	Lever Width	Lever Diameter O.D.	Lever Length	Lever Height	Lever Nut Height	Screw Diameter O.D.	Height	Butt End Height	Collar Height
SE12	178	38	305	62	146	32	54	241	17	29	35	62	----	----
SE16	254	38	407	62	146	32	54	241	17	29	35	62	----	----
SE18	254	50	457	70	190	38	68	279	20	35	47	76	----	----
Model (Butt End)	Screw Ends to be used with Butt End													
BE25	SE12 / SE16		----	62	----	----	----	----	----	----	----	----	35	98
BE35	SE18		----	70	----	----	----	----	----	----	----	----	44	124

# ROOF SUPPORT

RS Series 3,6 Tonnes



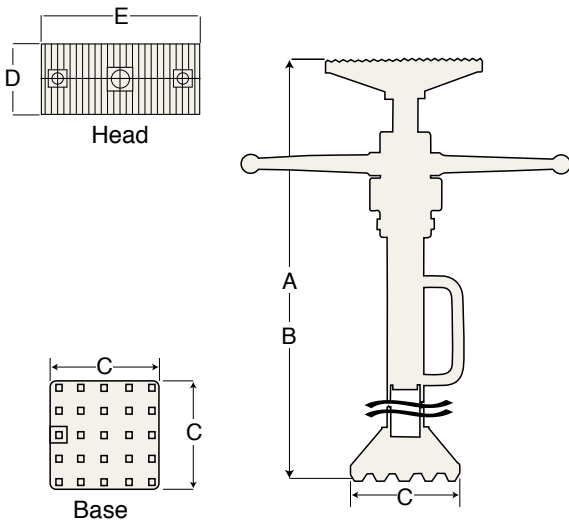
Models: RS139AS66102, RS139AS78114



This RS Series Roof Support was used to support a horizontal I-Beam while weld work was being done on the verticle I-Beam.

## FEATURES

- ✓ Rated at 3,6 tonnes sustaining capacity.
- ✓ Designed for a wide range of maintenance and holding capabilities.
- ✓ Aluminum alloy housing and base makes this unit light and portable.
- ✓ Balanced carrying handle.
- ✓ Holds the load indefinitely without creep down.



### CE COMPLIANT

Our Jack design specifications meet or exceed ANSI /ASME B30.1 Safety Standards.



### WARNING

Please follow all recommended safety precautions to avoid personal injury or damage to the unit.

Model	Stroke (mm)	Dimensions (mm)					Weight (kg)
		A	B	C	D	E	
		Minimum Height	Maximum Height	Base	Head Width	Head Length	
RS139AS66102	914	1676	2591	152	102	229	26
RS139AS78114	914	1981	2896	152	102	229	29