

DOUBLE ACTING HIGH TONNAGE CYLINDERS



- ✓ Capacities from 51 to 1.085 ton, strokes up to 300 mm.
- ✓ Safety valve on the retract side to prevent accidental over-pressure.
- ✓ Wear bands to improve side-load capacity.

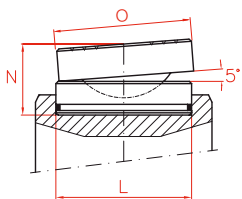


Capacity		Stroke	Model	Oil Cap.	A
ton	kN	mm	LARZEP	cm ³	mm
51	496	50	DDC05005	354	206
		150	DDC05015	1.063	306
		300	DDC05030	2.126	461
95	929	50	DDC10005	664	196
		150	DDC10015	1.991	296
		300	DDC10030	3.982	451
144	1.407	50	DDC14005	1.005	213
		150	DDC14015	3.016	318
		300	DDC14030	6.032	478
224	2.199	50	DDC22005	1.571	233
		150	DDC22015	4.712	336
		300	DDC22030	9.425	498
310	3.036	50	DDC30005	2.169	251
		150	DDC30015	6.506	357
		300	DDC30030	13.012	512

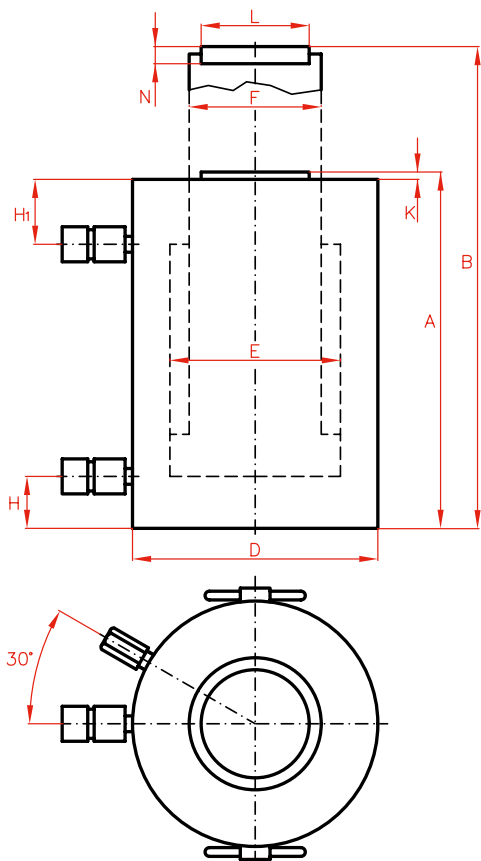
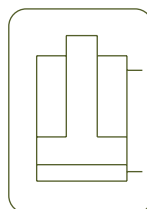


OPTIONAL TILTING SADDLES

Model	L	N	O	Weight
LARZEP	mm	mm	mm	kg
CATS150	94	39,2	97	3,0
CATS200	113	43,0	126	4,4
CATS300	140	68,5	175	10,3



P.90



Type **DDC**

Capacity 51 - 1.085 ton

Stroke 50 - 300 mm

Max. pressure 700 bar

DDA
Aluminium Double Acting Cylinders

P.48

HBM / HBE
Powerpacks

P.72

B	D	E	F	H	H1	K	L	N	Area	Weight	Model	With tilting saddle	
mm	mm	mm	mm	mm	mm	mm	mm	mm	cm ²	kg	LARZEP	A	Model
256	125	95	75	25	75	6	50	20	70,9	19	DDC05005	270	CATS50
456	125	95	75	25	75	6	50	20	70,9	26	DDC05015	470	CATS50
761	125	95	75	25	80	6	50	20	70,9	38	DDC05030	775	CATS50
246	170	130	100	30	60	6	75	20	132,7	33	DDC10005	256	CATS100
446	170	130	100	30	60	6	75	20	132,7	46	DDC10015	456	CATS100
751	170	130	100	30	65	6	75	20	132,7	67	DDC10030	761	CATS100
263	210	160	110	40	65	6	94	20	201,1	53	DDC14005	282	CATS150
468	210	160	110	40	70	6	94	20	201,1	74	DDC14015	487	CATS150
778	210	160	110	40	80	6	94	20	201,1	104	DDC14030	797	CATS150
283	260	200	140	50	75	6	113	25	314,2	90	DDC22005	251	CATS200
486	260	200	140	50	75	6	113	25	314,2	120	DDC22015	354	CATS200
798	260	200	140	50	85	6	113	25	314,2	169	DDC22030	516	CATS200
301	305	235	200	55	85	8	140	30	433,7	137	DDC30005	290	CATS300
507	305	235	200	55	85	8	140	30	433,7	189	DDC30015	396	CATS300
812	305	235	200	55	85	8	140	30	433,7	263	DDC30030	551	CATS300

DDC CYLINDERS

HBM / HBE
Powerpacks



P.72

AV - AY - AVD
Pressure Gauges



P.94

AP2
Hoses



P.84

AZ3140
Coupler 3/8" -18 NPT included

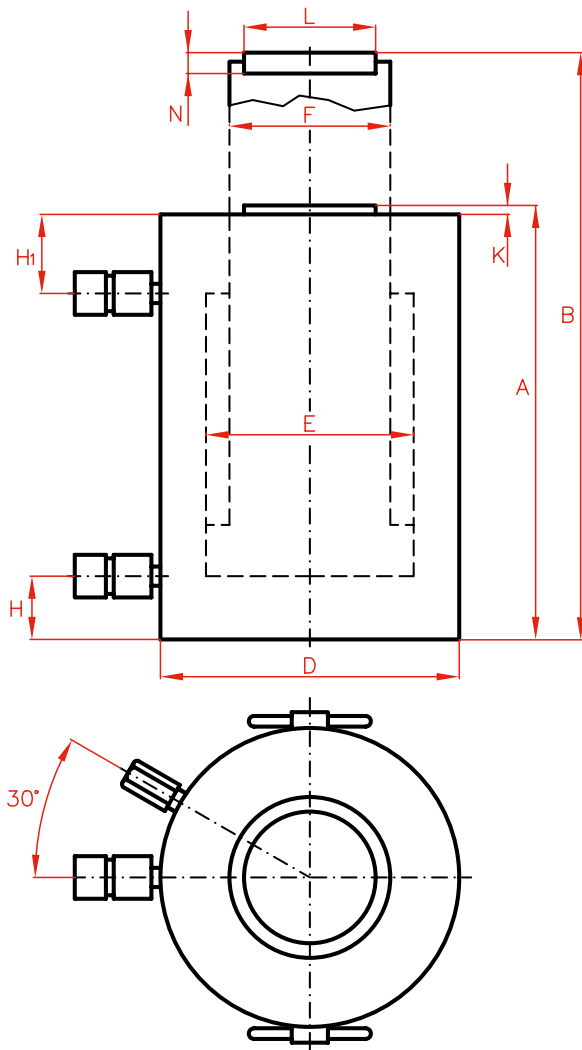
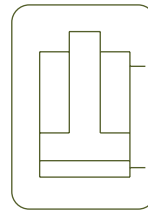


P.86



Capacity		Stroke	Model	Oil Cap.	A
ton	kN	mm	LARZEP	cm ³	mm
409	4.008	50	DDC40005	2.863	275
		150	DDC40015	8.588	382
		300	DDC40030	17.177	538
522	5.114	50	DDC50005	3.653	305
		150	DDC50015	10.959	410
		300	DDC50030	21.918	566
611	5.987	50	DDC60005	4.276	315
		150	DDC60015	12.829	420
		300	DDC60030	25.659	576
831	8.149	50	DDC80005	5.821	335
		150	DDC80015	17.462	446
		300	DDC80030	34.925	606
1.085	10.644	50	DDC100005	7.603	365
		150	DDC100015	22.808	476
		300	DDC100030	45.616	636

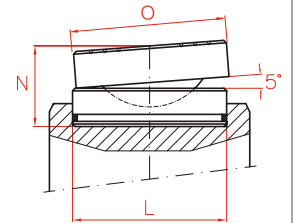




Type	DDC
Capacity	51 - 1.085 ton
Stroke	50 - 300 mm
Max. pressure	700 bar

OPTIONAL TILTING SADDLES

Model	L	N	O	Weight
LARZEP	mm	mm	mm	kg
CATS400	159	78,0	210	17,0
CATS500	179	77,0	230	20,0
CATS600	194	81,5	250	24,0
CATS800	224	86,5	275	32,0
CATS1000	249	105,5	300	46,0



P.90

B	D	E	F	H	H1	K	L	N	Area	Weight	Model	With tilting saddle	
mm	mm	mm	mm	mm	mm	mm	mm	mm	cm ²	kg	LARZEP	A	Model
325	350	270	220	65	95	10	159,5	30	572,6	197	DDC40005	323	CATS400
532	350	270	220	65	95	10	159,5	30	572,6	262	DDC40015	430	CATS400
838	350	270	220	65	95	10	159,5	30	572,6	357	DDC40030	586	CATS400
355	400	305	250	75	110	10	179,5	30	730,6	287	DDC50005	352	CATS500
560	400	305	250	75	110	10	179,5	30	730,6	371	DDC50015	457	CATS500
866	400	305	250	75	110	10	179,5	30	730,6	496	DDC50030	613	CATS500
365	430	330	270	80	115	10	195	30	855,3	342	DDC60005	367	CATS600
570	430	330	270	80	115	10	195	30	855,3	440	DDC60015	472	CATS600
876	430	330	270	80	115	10	195	30	855,3	583	DDC60030	628	CATS600
385	505	385	320	95	120	10	225	30	1.164,2	504	DDC80005	392	CATS800
596	505	385	320	95	120	10	225	30	1.164,2	649	DDC80015	503	CATS800
906	505	385	320	95	120	10	225	30	1.164,2	858	DDC80030	663	CATS800
415	570	440	340	105	130	10	250	30	1.520,5	696	DDC100005	441	CATS1000
626	570	440	340	105	130	10	250	30	1.520,5	869	DDC100015	552	CATS1000
936	570	440	340	105	130	10	250	30	1.520,5	1.116	DDC100030	712	CATS1000